



## PLANTS FOR THE PROCESSING OF BY-PRODUCTS OF SLAUGHTER

### » Hammer mill type ACT M8LAB - M36 - M44 - M68 - M100



#### Characteristics

The machine is made of welded steel structure composed, abundantly sized and able to withstand heavy loads, taking into account the highest productivity at the lowest cost of ownership. The rotor is dynamically balanced and mounted on double-row ball bearings, and is easy to disassemble and reassemble.

It can be powered either manually or automatically. The conveyor belt located on the mouth of power can be equipped with electromagnetic filter.

The armor and hammers can be supplied, on request, according to the particular needs of the customer.

#### Applications

The hammer mill is used in different types of industry and particularly in the food, chemical and livestock.

Receiving hoppers  
Conveyor belt with metal detector  
Shredder  
Bone crusher  
Mincer  
Elliptical rotor pump  
Screw conveyor  
Pneumatics conveyor  
Continuous/Discontinuous hydrolizer

Discontinuous cooker sterilizer  
Continuous cooker  
Continuous pre-heater  
Continuous dryer  
Air and water condenser  
Continuous single screw press  
Continuous double screw press  
Feather and bristle press  
Line for blood coagulation

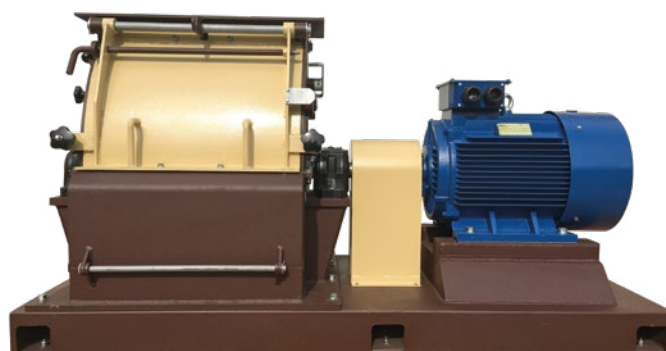
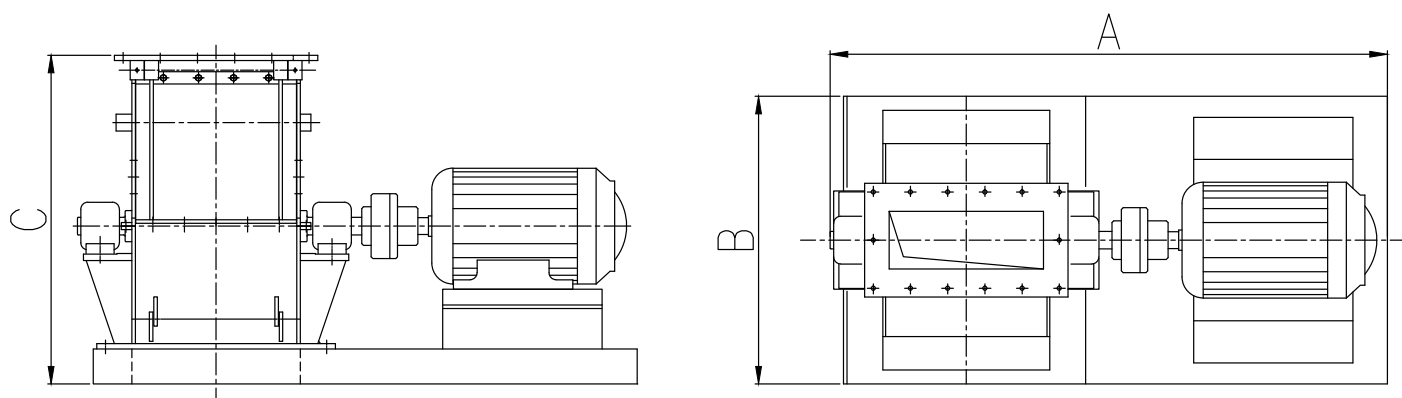
Continuous cooler for meal  
Mixer  
*Hammer mill*  
Vibrating separator  
Solids and liquids storing silos  
Electrical panel  
Scrubber system  
Steam generator  
Evaporators



## PLANTS FOR THE PROCESSING OF BY-PRODUCTS OF SLAUGHTER

### Technical data

A few technical capacity data and dimensional



ACT	M8LAB	M36	M44	M68	M100
Production capability (approximative) (Kg/h)	-	1800	2500	3500	4500
Power (KW)	0,75	22	30	37/90	75/90
A mm	500	1580	1700	2200	2500
Bmm	430	820	820	960	960
Cmm	350	900	900	1100	1100



The dimensions and datas are purely indicative. The constructor reserves itself the right to modify them, in case thecnical-functional needs require it.

### Agricornitec Santini E C. Srl

Via Carlo Goldoni, 7 - 20063 Cernusco sul Naviglio (MI) - Italy  
Tel: +39 02 9249089 - Fax: +39 02 9245275 - E-mail: act@agricarnitec.it

[www.agricarnitec.com](http://www.agricarnitec.com)

