



PLANTS FOR THE PROCESSING OF BY-PRODUCTS OF SLAUGHTER

» Continuous cooler for meal type ACT R.3 - R.4 - R.6 - R.8



Characteristics

Cooling system able to cool the finished product at an optimal temperature for possible grinding and stocking phase through:

- Continuous and constant product mixing through mechanical action of the mixing shaft;
- Heat extraction through a dedica-

ted electro fan;

- Time of permanence in the machinery

However, it is necessary to notice that the temperature of the production department influences the performance of the machinery.

In order to neutralize partially the action of the production department temperature, it is possible to install in the case of the cooler a special chamber for water circulation, thermo-regulated by a heat exchanger so maintaining the machinery at a constant process temperature.

Receiving hoppers
Conveyor belt with metal detector
Shredder
Bone crusher
Mincer
Elliptical rotor pump
Screw conveyor
Pneumatics conveyor
Continuous/Discontinuous hydrolizer

Discontinuous cooker sterilizer
Continuous cooker
Continuous pre-heater
Continuous dryer
Air and water condenser
Continuous single screw press
Continuous double screw press
Feather and bristle press
Line for blood coagulation

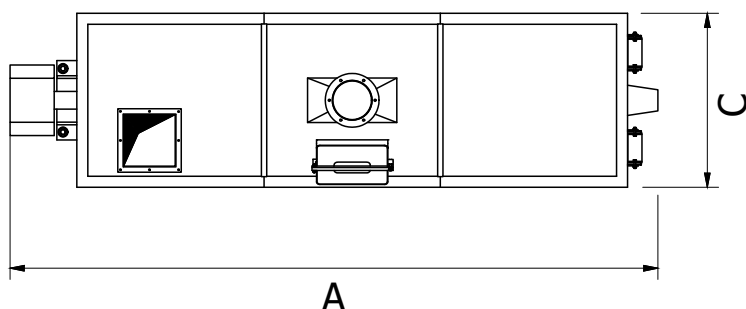
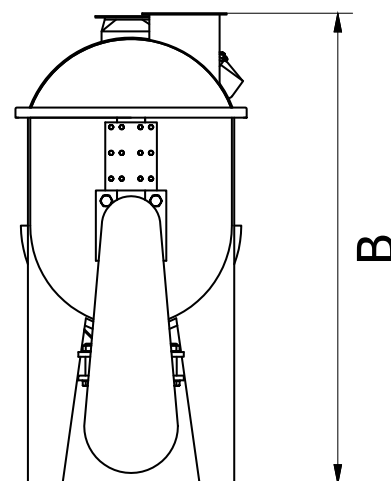
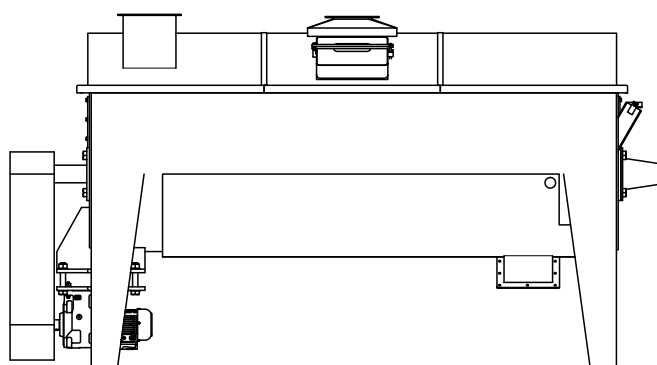
Continuous cooler for meal
Mixer
Hammer mill
Vibrating separator
Solids and liquids storing silos
Electrical panel
Scrubber system
Steam generator
Evaporators



PLANTS FOR THE PROCESSING OF BY-PRODUCTS OF SLAUGHTER

Technical data

A few technical capacity data and dimensional



ACT	R.3	R.4	R.6	R.8
Capacity (Kg/h)				6000
Weight (Kg)	2700	3300	4500	5700
Power (KW)	5,5	7,5	11	18,5
A mm	3675	4675	6675	8675
Bmm	2010	2010	2010	2010
C mm	985	985	985	2300

The dimensions and datas are purely indicative. The constructor reserves itself the right to modify them, in case thecnical-functional needs require it.

Agricarnitec Santini E C. Srl

Via Carlo Goldoni, 7 - 20063 Cernusco sul Naviglio (MI) - Italy
Tel: +39 02 9249089 - Fax: +39 02 9245275 - E-mail: act@agricarnitec.it

www.agricarnitec.com

